

HAND HELD CRIMPER SEALERS

Model	7914.172	7914.175	7914.176	7914.177
Weldable material	polyethylene	cellophane, wax paper, aluminium or moisture barrier bags	cellophane, wax paper, aluminium or moisture barrier bags	cellophane, wax paper, aluminium or moisture barrier bags
Soldering lenght (mm)	150	150	300	400
Max. soldering thickness(mm)	2x0,15	2x0,15 Aluminium bag	2x0,15 Aluminium bag	2x0,15 Aluminium bag
Seal width (mm)	2	15	12	12
Power (W)	25	50	320	420
Weight (kg)	0,5	1	2,5	3,5
heating jaws	1	2	2	2
Finishing	flat	embossed	embossed	embossed
Temp. Adjustment	50-200°C	50-200°C	50-200°C	50-200°C



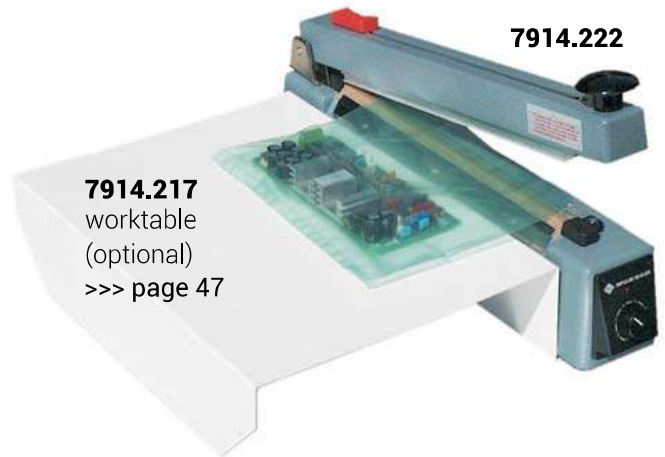
HAND SEALERS

The welding time is adjustable, to match the type and thickness of material. The models with cutting blade can be used to produce bags from tubing or to seal filled bags and to trim the exceeding material.

Seal width: 2mm

Max.Sealable Thickness: 2x0.125mm.

Model	With cutter blade	Sealing lenght (mm)	Power (Watts)	Weight (Kg)
7914.201		200	260	4
7914.211	x	200	260	4
7914.221		300	380	5
7914.222	x	300	380	5
7914.231		400	500	6
7914.232	x	400	500	6
7914.233	x	500	550	7



HAND SEALERS (MEDICAL PACKAGING)



Recommended for the health care industry, creates water-tight seals on sterilisation rolls (paper-plastic) and sterilisation tubing (plastic-plastic) materials. The welding time is adjustable, to match the type and thickness of material, an audible beep advises when the seal is complete. Each seal has a deeply embossed texture.

- Soldering width: 10mm (according DIN58953)

- Max.Sealable Thickness: 2x0.2mm

	Model	Sealing lenght (mm)	Power (Watts)	Weight (Kg)
7914.215	white	200	1000	6,5
7914.216	stainless steel	300	1200	8

HAND SEALERS

WITH HOLDING MAGNET AND CUTTER

The machine operates quickly and efficiently with magnet hold, offering consistent secure sealing for every package. After the seal cycle the machine re-opens automatically.

- Adjustable welding and cooling time.
- Uniform set contact pressure.
- Welds all types of thermoplastic films.
- Easy and simple to operate.

Seal width: 5mm

Max seal thickness: 2x0.15mm



Holding Magnet

7914.245

7914.245 Hand Sealer with holding magnet and Cutting Blade Max. seal length: 300mm

7914.246 Hand Sealer with holding magnet and Cutting Blade Max. seal length: 400mm

ACCESSORIES FOR HAND SEALERS

7914.217 Worktable for sealing unit 200mm

7914.227 Worktable for sealing unit 300mm

7914.237 Worktable for sealing unit 400mm

7914.226 Holder for tubing roll, maximum width 310mm

7914.236 Holder for tubing roll, maximum width 510mm



7914.217



7914.226

DOUBLE AUTOMATIC HEAT SEALERS

Heavy duty, single or double, automatic or manual impulse heat sealer. Seals up to 0.5mm gusseted or regular thermoplastic film.

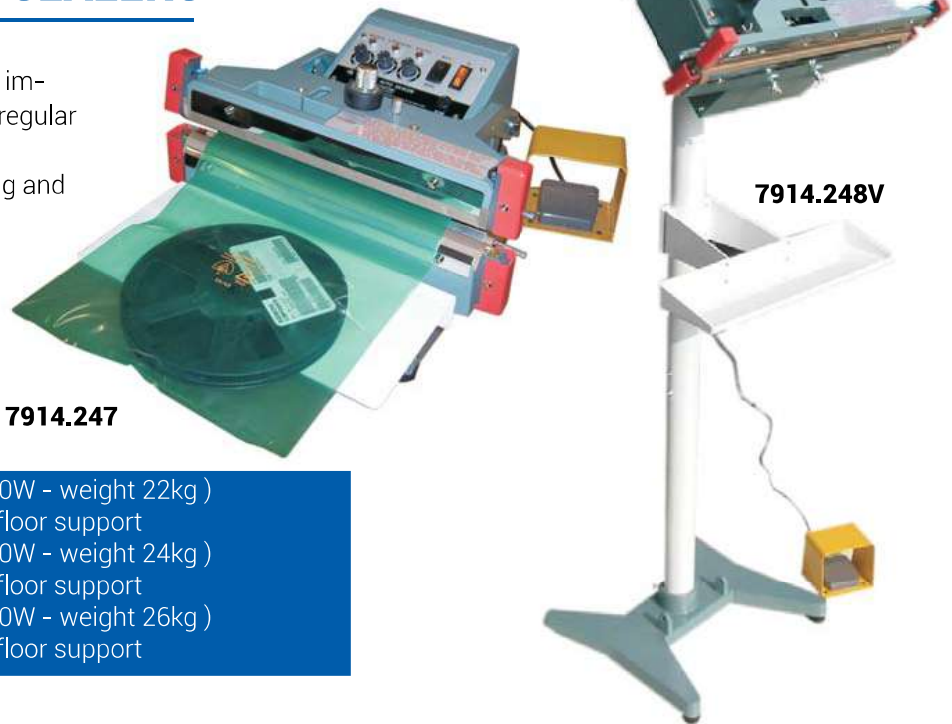
Separate programmable timers (for sealing, cooling and recycle time when in automatic mode).

Foot switch included for manual operation.

Seal width: 10mm

Max. seal thickness: 2x0.15mm

7914.247



7914.248V

7914.247 Automatic heat sealer 300mm (2000W - weight 22kg)

7914.247V Automatic heat sealer 300mm with floor support

7914.248 Automatic heat sealer 450mm (2500W - weight 24kg)

7914.248V Automatic heat sealer 450mm with floor support

7914.249 Automatic heat sealer 600mm (3000W - weight 26kg)

7914.249V Automatic heat sealer 600mm with floor support

AUTOMATIC HEAT SEALERS WITH TEMPERATURE CONTROL

Heavy duty, constant temperature, magnet hold, automatic or manual impulse heat sealer. The machine is suitable for heavy bags like poly-cello films, aluminum foil or moisture barrier bags. Each seal has a deeply embossed texture.

Seal width: 15mm

Max. seal thickness: 2 x 0,25mm

Temperature range: 30 - 199°C

Sealing time: 0,2 - 2,5 sec

Recycle time (automatic mode): 1 - 8 sec



7914.165

7914.163 Constant automatic heat sealer 200mm (350W - weight 15kg)

7914.165 Constant automatic heat sealer 400mm (520W - weight 19kg)

7914.166 Constant automatic heat sealer 600mm (600W - weight 22kg)

VACUUM PACKING MACHINES

VACUWELD VACUUM TANK SEALERS FOR EPA AREA

The VACUWELD machines have been designed to avoid electrostatic charges, for the use in ESD environments: stainless steel chamber, aluminium cover and conductive wheels. Digital adjustment of vacuum (Vacuum %), controlled by an internal vacuum sensor.

VACUWELD

VENTURI PUMP (COMPRESSED AIR)

The use of a compressed air-driven vacuum pump, minimizes noise, vibration and heat generation.
 Maximum vacuum level 90% (measured at the sea level)
 Seal bar: 460 x 10mm
 Useful chamber size: 500 x 600 x 100(H)mm
 External dimensions: 800x650x270(H) mm
 Air requirements: 6nl/s at 6 ATM
 Power supply: 230V/50Hz 1kW



7914.275



Vacuum tank sealer



Seal Time
 Inlet Gas Time (7914.279 only)
 Vacuum %

The Vacuwelds allow you to store up to 10 welding programs to quickly set the desired parameters.

VACUWELD OIL PUMP

The use of an oil pump let the sealer to reach a high vacuum level.
 Maximum vacuum level 98% (measured at the sea level)
 Seal length: 450 x 5 mm
 Vacuum pump: Oil bath, 20m³/h.
 Chamber capacity: 450x500x900(H) mm
 External dimensions: 615x726x970(H) mm
 Power supply: 230V/50Hz 2kW

7914.279

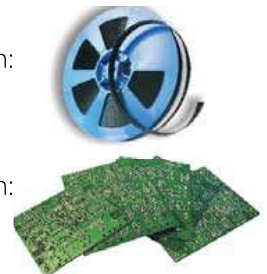
- 7914.275 Vacuum tank sealer, venturi pump
- 7914.278 Vacuum tank sealer, oil pump
- 7914.279 Vacuum tank sealer, oil pump with inert gas injection

NOTE: Compared to the adjustment of the suction time and the visual control, the adjustment of the vacuum percentage (Vacuum%), which can be set by all Vacuweld heat sealers, guarantees maximum repeatability and precision in packaging.

These are the values we recommend to avoid excessive pressure of the envelopes on the SMD and PCBs coils, which could cause breakage or dangerous deformations.

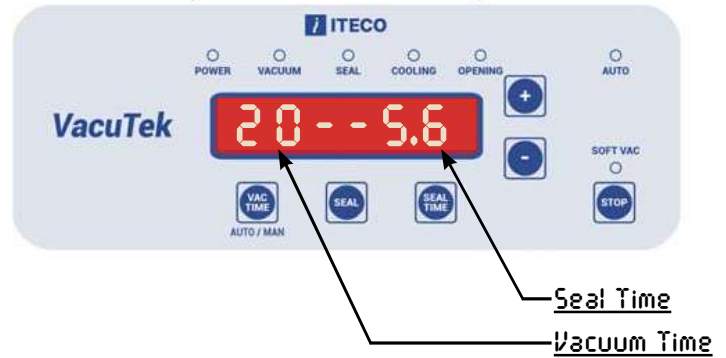
REEL
 Suggested Vacuum: 75÷85%

PCBs
 Suggested Vacuum: 70÷80%



VACUTEK EXTERNAL ASPIRATION FOR EPA AREA

Vacuthek is an innovative external suction welding machine, an evolution of the previous model Vaculab which has been produced for over 10 years. With these economic and flexible machines is possible to package every length of bag. The unit is hand operated and the degree of vacuum is achieved by the operator's evaluation.



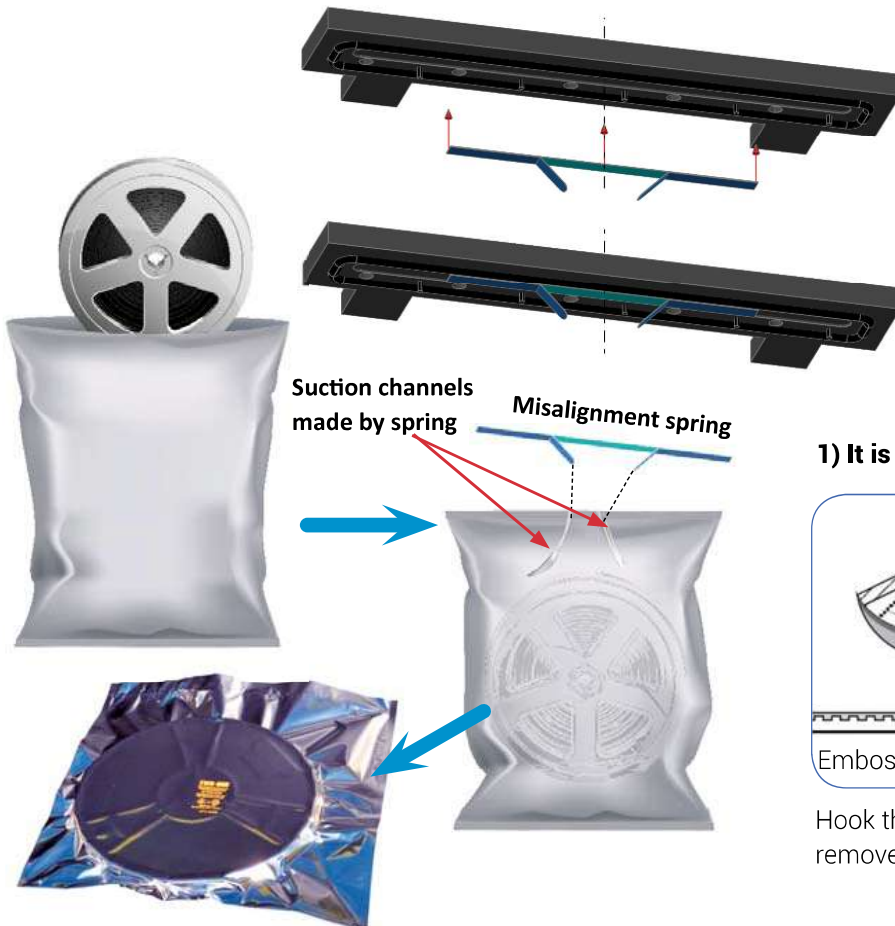
The vacuum (Vacuum Time) time can be preset or manually decide when to start the sealing cycle by pressing the SEAL button.

7914.340 Manual vacuum bag sealer, external aspiration.

Unfortunately, the ESD barrier bags used in Electronics to make the Dry Pack of MSD components according to the Jedec J-STD-033D standard, are not available in the embossed type, ie with internal knurling, useful for air

extraction. Therefore they normally require the use of vacuum chamber packaging machines (internal aspiration).

For their use with with external aspiration vacuum packaging machines, the misalignment spring was developed. It's a magnetic anchoring tool, which must be inserted in the upper part of the welding bar as shown in the figure.



Technical features:

Seal length: 450 mm

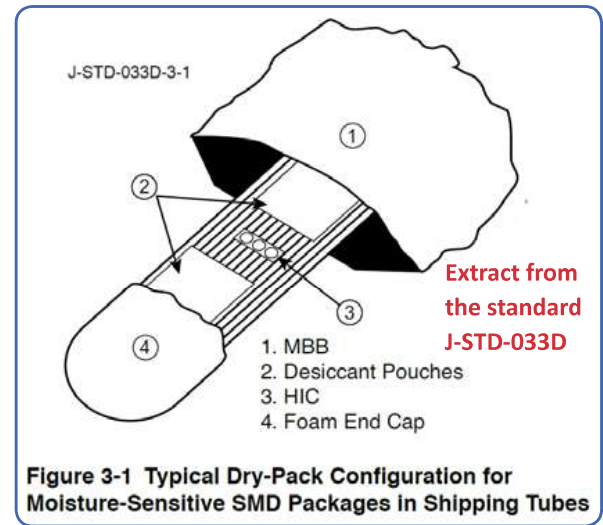
Soldering jaws: 2 x 6mm

Vacuum pump: Dry , 5m³/h

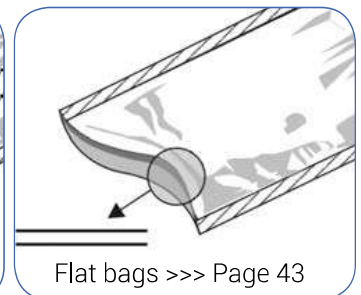
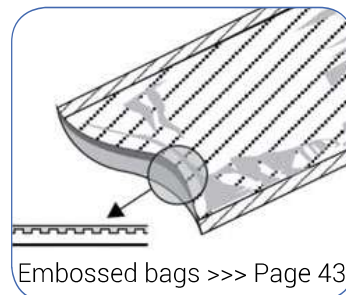
Noise: <65dB

External dimensions: 490x390x220mm

Power supply: 230V/50Hz - 600W



1) It is possible to use both flat and embossed bags



Hook the misalignment spring when using the flat barrier bags, remove it with the embossed barrier bags.